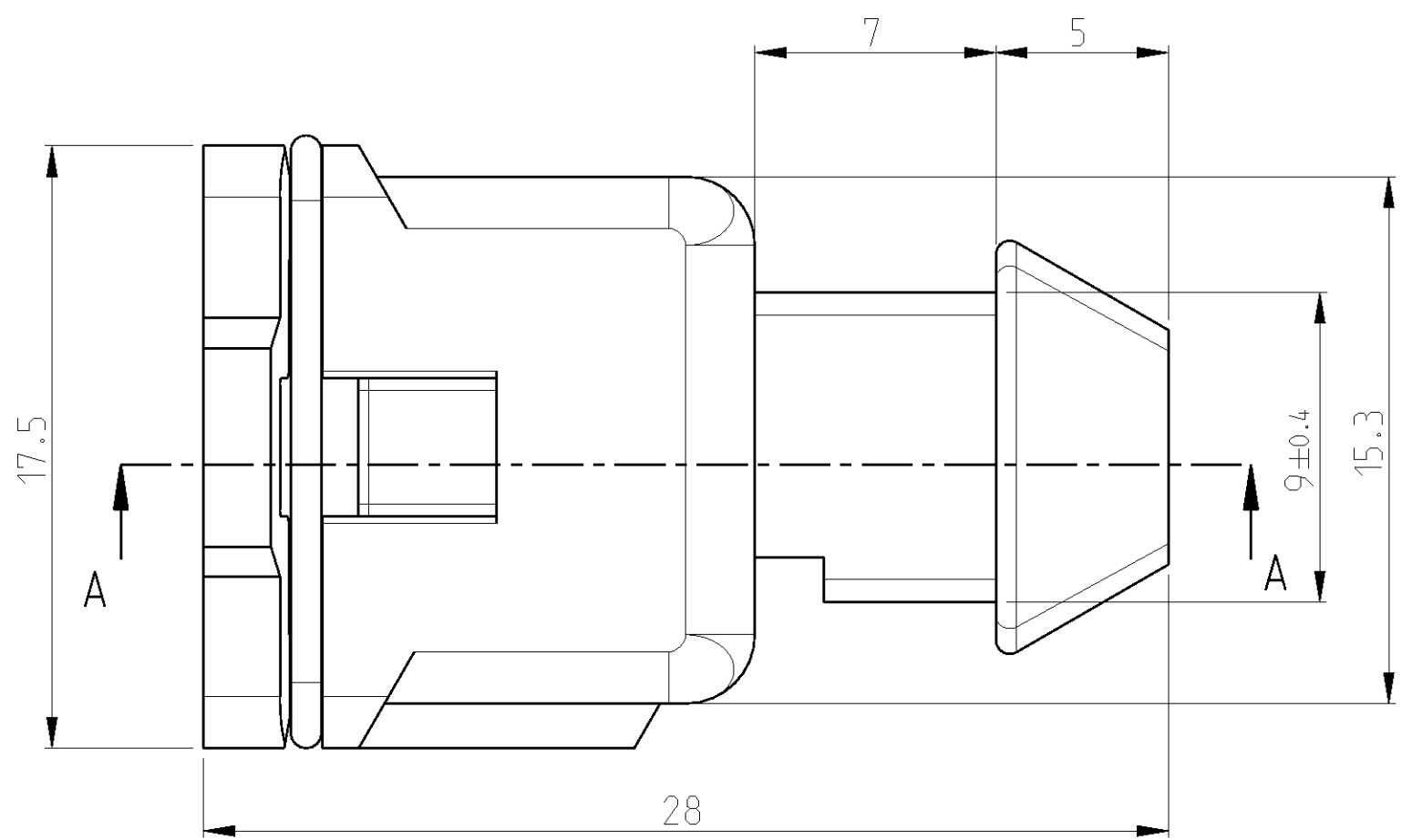
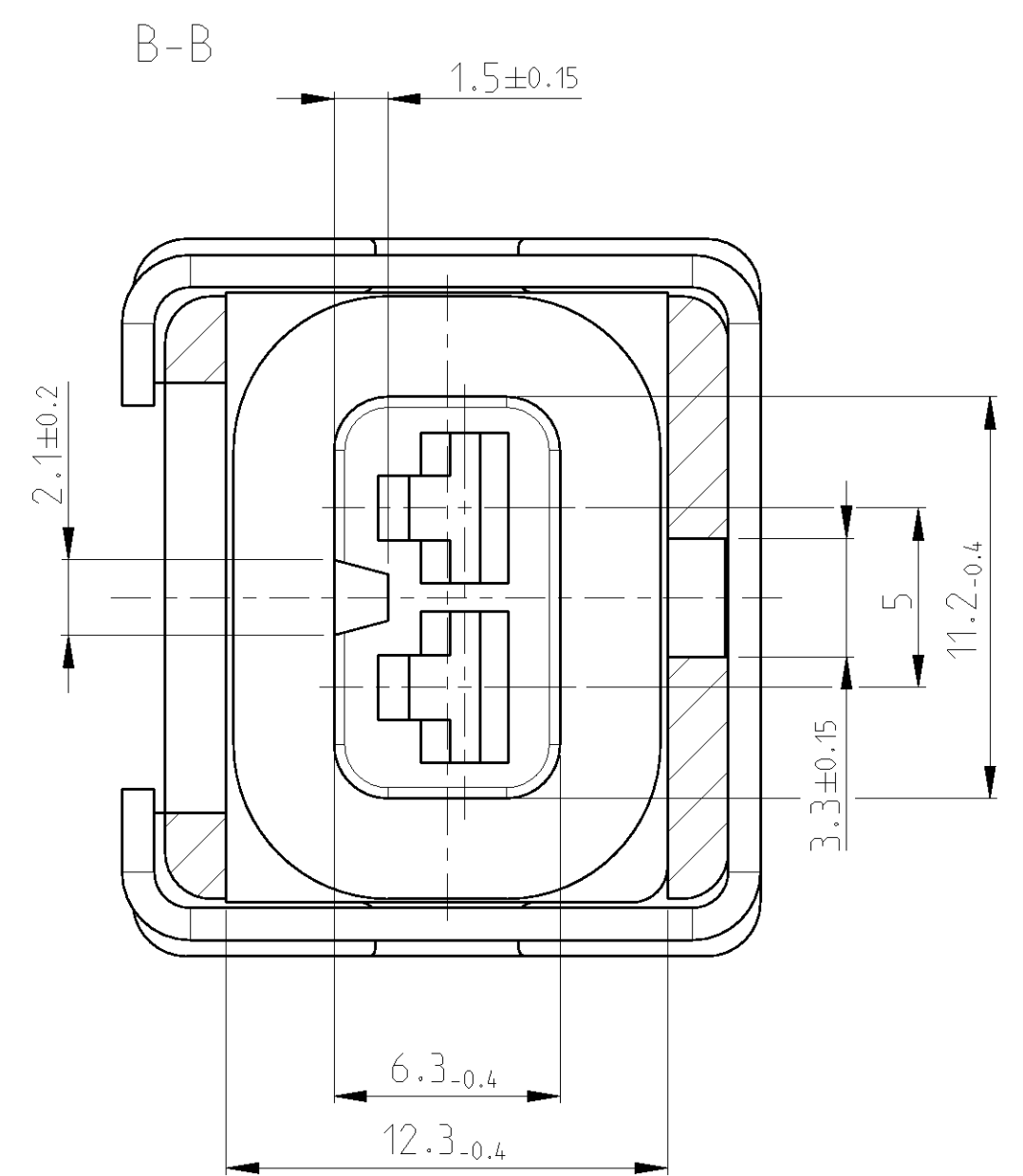
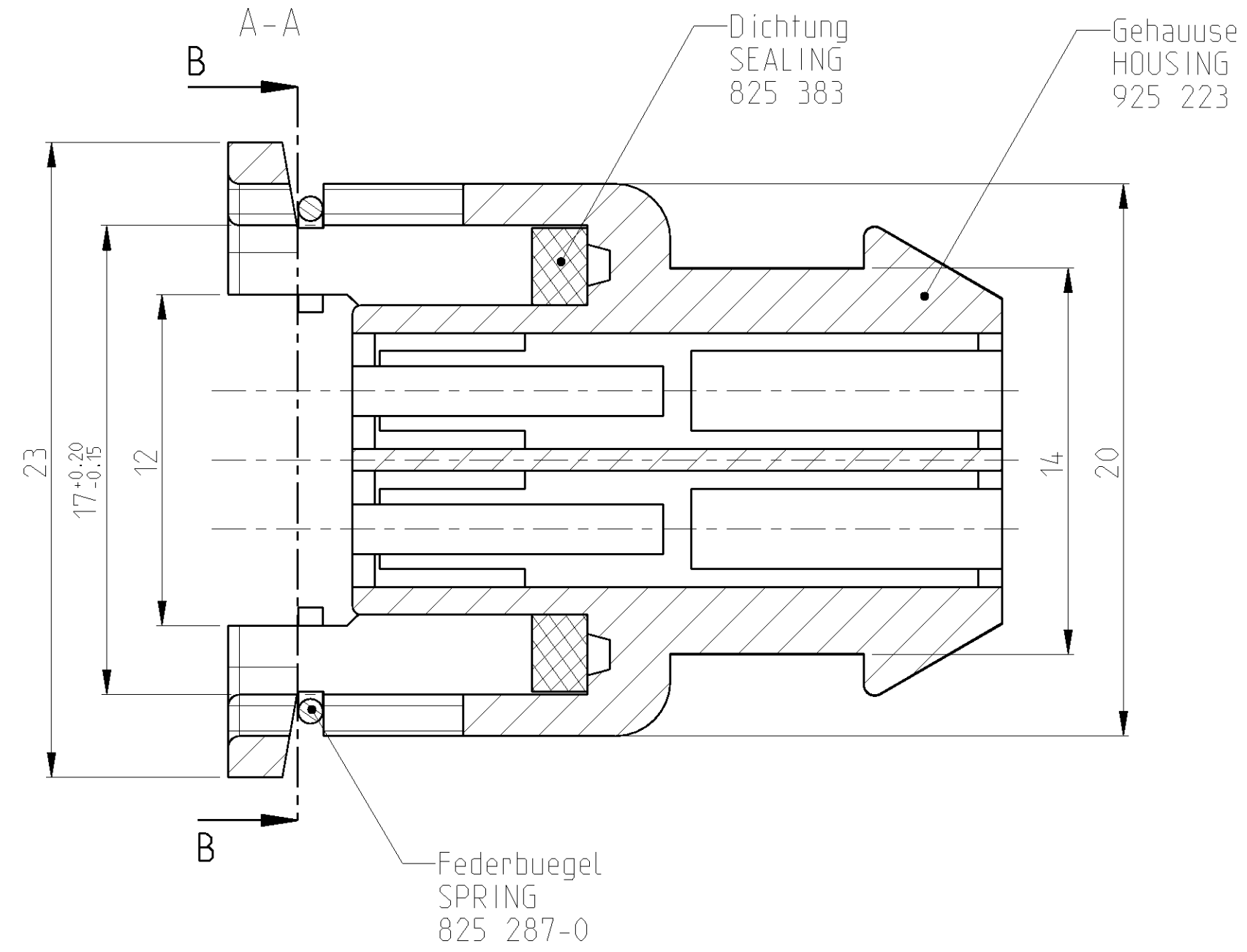


THIS DRAWING IS UNPUBLISHED. RELEASED FOR PUBLICATION 2012
 © COPYRIGHT 2012 BY - ALL RIGHTS RESERVED.

LOC		DIST		REVISIONS			
P	LTR	DESCRIPTION	DATE	DWN	APVD		
A1	-	G3	Dimensions new attracted	22NOV2012	Ho.	Krauss	



ASSY NO.	COLOR	HSG.	MATERIAL	HSG.	SEALING NO.
3-825 414-6	BROWN	PA 6.6 GV 30		825 383-4	
3-825 414-5	BLACK	PA 6.6 GV 30		825 383-4	
3-825 414-3	BLUE	PA 6.6 GV 30		825 383-4	
3-825 414-2	GREEN	PA 6.6 GV 30		825 383-4	
3-825 414-1	GREY	PA 6.6 GV 30		825 383-4	
3-825 414-0	CLEAR	PA 6.6 GV 30		825 383-4	
2-825 414-6	BROWN	PA 6.6 GV 13		825 383-4	
2-825 414-5	BLACK	PA 6.6 GV 13		825 383-4	
2-825 414-3	BLUE	PA 6.6 GV 13		825 383-4	
2-825 414-2	GREEN	PA 6.6 GV 13		825 383-4	
2-825 414-1	GREY	PA 6.6 GV 13		825 383-4	
2-825 414-0	CLEAR	PA 6.6 GV 13		825 383-4	
1-825 414-6	BROWN	PA 6.6 GV 30		825 383-1	
1-825 414-5	BLACK	PA 6.6 GV 30		825 383-1	
1-825 414-3	BLUE	PA 6.6 GV 30		825 383-1	
1-825 414-2	GREEN	PA 6.6 GV 30		825 383-1	
1-825 414-1	GREY	PA 6.6 GV 30		825 383-1	
1-825 414-0	CLEAR	PA 6.6 GV 30		825 383-1	
825 414-6	BROWN	PA 6.6 GV 13		825 383-1	
825 414-5	BLACK	PA 6.6 GV 13		825 383-1	
825 414-3	BLUE	PA 6.6 GV 13		825 383-1	
825 414-2	GREEN	PA 6.6 GV 13		825 383-1	
825 414-1	GREY	PA 6.6 GV 13		825 383-1	
825 414-0	CLEAR	PA 6.6 GV 13		825 383-1	

THIS DRAWING IS A CONTROLLED DOCUMENT.

DWN Haas, C. 18 JUL 2006
 CHK Stredak, F. 23 AUG 2006
 APVD Bleicher, M. 25 AUG 2006

STE TE Connectivity

NAME ASSEMBLY FOR 2POS. FEMALE HSG. FOR JUNIOR-TIMER CONTACT
 2 pol. Buchsengeh. fuer JT Kontakt

DIMENSIONS: mm
 TOLERANCES UNLESS OTHERWISE SPECIFIED:
 0 PLC ±
 1 PLC ±
 2 PLC ±
 3 PLC ±
 4 PLC ±
 ANGLES ±°
 FINISH

MATERIAL SEE TABLE

PRODUCT SPEC -
 APPLICATION SPEC -
 WEIGHT -

Customer Drawing

SIZE A2 CAGE CODE 00779 DRAWING NO. C=825414_C RESTRICTED TO -
 SCALE 5:1 SHEET 1 OF 1 REV G3